



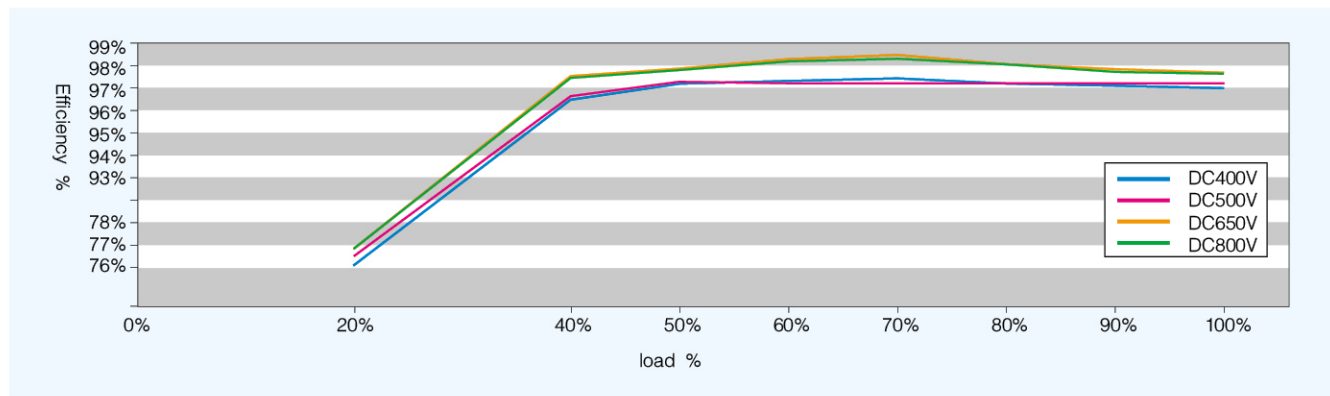
LT 5000HD / LT 6000HD LT 8000HD / LT 10000HD



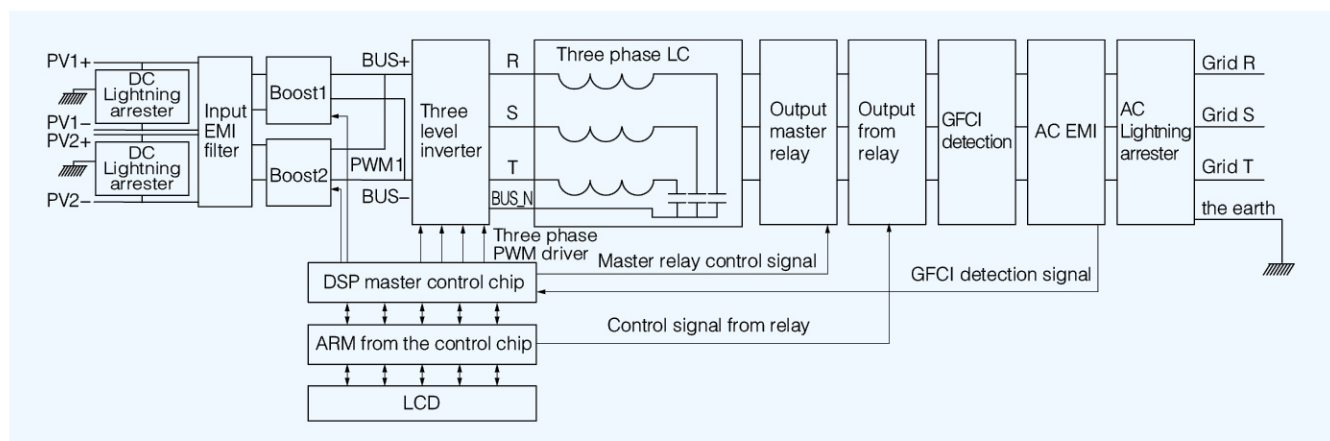
Leading - edge technology

- Wide input voltage, DC input voltage up to 1000V
- Compact design, no fan, low noise technique
- Maximum efficiency of 98.5%
- T three level design, more efficient, more power generation
- Internal DC Switch
- Fanless design, easy maintenance
- IP65 compatible
- Small size, light weight, easy installation
- Film capacitor design, 25 years of design service life
- Standard configuration USB / WIFI, monitoring more flexible, more convenient

Efficiency curve



Circuit diagram



Technical specifications

DATASHEET	LT 5000HD	LT 6000HD	LT 8000HD	LT 10000HD
INPUT DATA(DC)				
Max.DC power	6500W	8000W	10000W	14000W
Max.PV power of per MPPT	3000W	3500W	4500W	5500W
Max.DC voltage	1000V	1000V	1000V	1000V
Rated DC voltage	580Vdc	580Vdc	580Vdc	580Vdc
DC voltage range	250–1000V	250–1000V	250–1000V	250–1000V
MPPT work voltage range / nominal voltage	250V–820V	250V–820V	250V–820V	250V–820V
Full load DC voltage range	250–800V	250–800V	400–800V	400–800V
Max.input current	22.0A	24.0A	28.0A	28.0A
MPPT Max.input current per string of tracker	11.0A / 11.0A	12.0A / 12.0A	14.0A / 14.0A	14.0A / 14.0A
MPPT tracking number	2 / 2	2 / 2	2 / 2	2 / 2
OUTPUT(AC)				
Rated AC output power	5500W	6600W	8800W	11000W
Max.output apparent power	5500VA	6600VA	8800VA	11000VA
Max.output current	8.1A / per phase	9.7A / per phase	13.0A / per phase	16.2A / per phase
Rated grid voltage; Grid voltage range per phase	3 / N / PE: 220 / 380V; 3 / N / PE: 230 / 400V; 3 / N / PE: 240 / 415V; per phase: 185–276V AC			
Rated power grid frequency; Grid frequency range	50Hz / 60Hz; 45–55Hz / 55–65Hz			
Power factor (cos Φ)	0.8 i...1...0.8 c			
Current harmonics (THDI)	< 3% (At nominal output power)			
AC grid connection type	Single Phase			
EFFICIENCY				
Max.Efficiency	98.0%	98.2%	98.5%	98.5%
Euro– Efficiency	97.6%	97.8%	98.0%	98.0%
MPPT Efficiency	99.8%	99.8%	99.8%	99.8%
PROTECTION DEVICES				
DC reverse polarity protection	Integrated	Integrated	Integrated	Integrated
DC switch for each MPPT	Integrated (opt)	Integrated (opt)	Integrated (opt)	Integrated (opt)
Output over current protection	Integrated	Integrated	Integrated	Integrated
Output over voltage protection	Integrated	Integrated	Integrated	Integrated
Ground fault monitoring	Integrated	Integrated	Integrated	Integrated
Grid monitoring	Integrated	Integrated	Integrated	Integrated
Leakage current protection	Integrated	Integrated	Integrated	Integrated
Island protection	Integrated	Integrated	Integrated	Integrated
GENERAL DATA				
Dimensions (W × H × D) (mm)	400 × 480 × 250mm		400 × 480 × 250mm	
Weight	22.5KG		25.2KG	
Install way	Wall hanging fixed		Wall hanging fixed	
Operating temperature range	–25°C ~+60°C		–25°C ~+60°C	
Noise emission	≤ 30db(A)		≤ 30db(A)	
Altitude	3000m		3000 m	
Self–consumption at night	0W		0W	
Topology	T–type three–level / Transformerless		T–type three–level / Transformerless	
Cooling concept	Natural		Natural	
Overall protection level	IP65		IP65	
Relative humidity (No condensation)	0~98%		0~98%	
FEATURES				
DC connection	MC4	MC4	MC4	MC4
AC connection	C16 / 5	C16 / 5	C16 / 5	C16 / 5
Display	LCD	LCD	LCD	LCD
Communication USB / WIFI / RS485 / GPRS:	yes / opt / yes / opt	yes / opt / yes / opt	yes / opt / yes / opt	yes / opt / yes / opt
Warranty: 5 years / 10 years	yes / opt	yes / opt	yes / opt	yes / opt
CERTIFICATES AND APPROVALS				
CE, VDE 0126–1–1, IEC 62109, G83–2, G59–3, AS4777, AS / NZS 3100, VDE–AR–N4105, EN50438, EN62116, CQC, MEA, PEA, IEC61683				

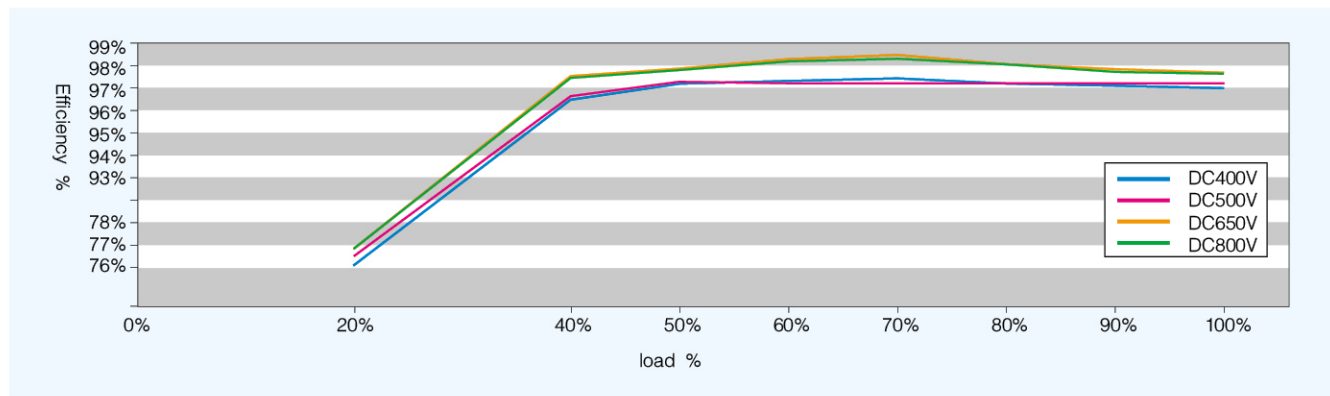
LT 15000HD LT 18000HD / LT 20000HD LT 25000HD / LT 28000HD



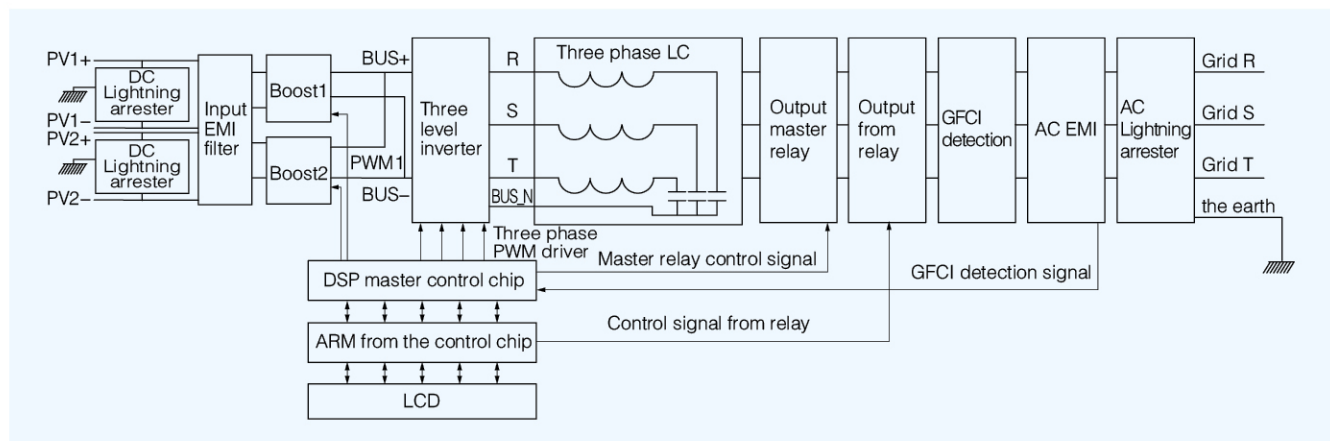
Leading - edge technology

- Wide input voltage, DC input voltage up to 1000V
- Maximum efficiency of 98.5%
- T three level design, more efficient, more power generation
- Internal DC Switch
- Compact design, no fan, low noise technique
- Fanless design, easy maintenance
- IP65 compatible
- Small size, light weight, easy installation
- Film capacitor design, 25 years of design service life
- Standard configuration USB / WIFI, monitoring more flexible, more convenient

Efficiency curve



Circuit diagram



Technical specifications

DATASHEET	LT 15000HD	LT 18000HD	LT 20000HD	LT 25000HD	LT 28000HD
INPUT DATA(DC)					
Max.DC power	18000W	22000W	24000W	29000W	30000W
Max.DC voltage	1000Vdc	1000Vdc	1000Vdc	1000Vdc	1000Vdc
Rated DC voltage	580Vdc	580Vdc	580Vdc	580Vdc	700Vdc
MPPT operating voltage range	250V–820V	250V–820V	250V–820V	250V–820V	250V–820V
MPPT Full load voltage range	400–800Vdc	400–800Vdc	450–800Vdc	480–800Vdc	500–800Vdc
Input channels	A: 3 / B: 3	A: 3 / B: 3	A: 3 / B: 3	A: 3 / B: 3	A: 3 / B: 3
MPPT tracking number	2	2	2	2	2
Max.input current per string of trackerA / trackerB	36A / 36A	36A / 36A	36A / 36A	36A / 36A	36A / 36A
DC connection type	MC4 connector	MC4 connector	MC4 connector	MC4 connector	MC4 connector
OUTPUT(AC)					
Max.output apparent power	15000VA	18000VA	20000VA	25000VA	28000VA
Rated AC output power	15000W	18000W	20000W	25000W	28000W
Max.output power	16500W	19800W	22000W	27500W	30000W
Rated grid voltage	3 / N / PE: 220 / 380V 3 / N / PE: 230 / 400V 3 / N / PE: 240 / 415V				3 / PE: 277 x 3 / 480V
Grid voltage range per phase	184V–276V	184V–276V	184V–276V	184V–276V	221V–330V
Rated power grid frequency	50Hz	50Hz	50Hz	50Hz	50Hz
Grid frequency range	45–55Hz	45–55Hz	45–55Hz	45–55Hz	45–55Hz
Max.output current	24.3A per phase	29.2A per phase	32.3A per phase	38A per phase	38A per phase
Power factor (cosΦ)	0.8 i...1...0.8 c				
Current harmonics (THDI)	< 3% (At nominal output power)				
AC output terminal connection type	Plug and play terminal				
EFFICIENCY					
Max.Efficiency	98.8%	98.8%	98.8%	98.8%	98.8%
Euro-eta	98.3%	98.3%	98.3%	98.3%	98.3%
MPPT Efficiency	99.8%	99.8%	99.8%	99.8%	99.8%
PROTECTION DEVICES					
Leakage current protection	Integrated	Integrated	Integrated	Integrated	Integrated
Island protection	Integrated	Integrated	Integrated	Integrated	Integrated
DC Switch	Integrated (opt)	Integrated (opt)	Integrated (opt)	Integrated (opt)	Integrated (opt)
DC surge protection	Integrated	Integrated	Integrated	Integrated	Integrated
Output over current protection	Integrated	Integrated	Integrated	Integrated	Integrated
Insulation Resistance detection	Integrated	Integrated	Integrated	Integrated	Integrated
GENERAL DATA					
Dimensions (W × H × D) (mm)	476 × 575 × 265mm				
Weight	33.5KG	33.6KG	33.6KG	33.6KG	33.6KG
Install way	Wall hanging fixed				
Operating temperature range	–25°C ~ +60°C				
Altitude	2000m				
Relative humidity	0%~98% No condensation				
Noise emission	≤ 55db(A)				
Self-consumption at night	0W				
Topology	T-type three-level / Transformerless				
Cooling concept	Natural				
Overall protection level	IP65				
Communication interface	USB / WIFI / RS-485				
FEATURES					
DC connection	MC4	MC4	MC4	MC4	MC4
AC connection	C16 / 5	C16 / 5	C16 / 5	C16 / 5	C16 / 5
Display	LCD	LCD	LCD	LCD	LCD
Communication USB / WIFI / RS485 / GPRS:	yes / opt / yes / opt	yes / opt / yes / opt	yes / opt / yes / opt	yes / opt / yes / opt	yes / opt / yes / opt
Warranty: 5 years / 10 years	yes / opt	yes / opt	yes / opt	yes / opt	yes / opt
CERTIFICATES AND APPROVALS					
CE, VDE 0126-1-1, IEC 62109, G83-2, G59-3, AS4777, AS / NZS 3100, VDE-AR-N4105, EN50438, EN62116, CQC, MEA, PEA, IEC61683					

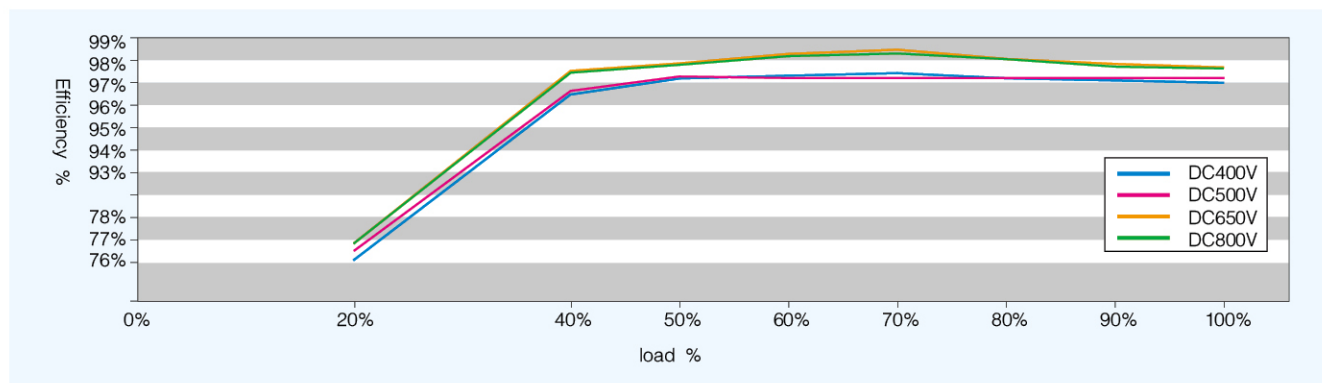
LT 30000HD LT 33000HD LT 40000HD



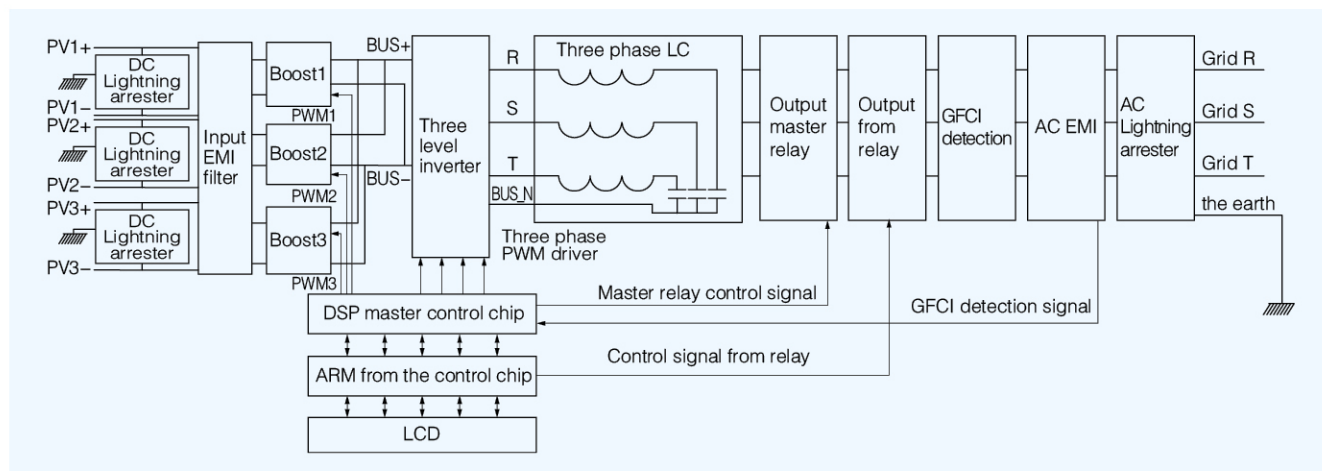
Leading - edge technology

- Wide input voltage, DC input voltage up to 1000V
- Compact design, no fan, low noise technique
- Maximum efficiency of 98.5%
- T three level design, more efficient, more power generation
- Internal DC Switch
- Easy maintenance
- IP65 compatible
- Small size, light weight, easy installation
- Film capacitor design, 25 years of design service life
- Standard configuration USB / WIFI, monitoring more flexible, more convenient

Efficiency curve



Circuit diagram



Technical specifications

DATASHEET	LT 30000HD	LT 33000HD	LT 40000HD
INPUT DATA(DC)			
Max.DC power	34000W	38000W	44000W
Max.DC voltage	1000Vdc	1000Vdc	1000Vdc
Rated DC voltage	580Vdc	580Vdc	700Vdc
MPPT operating voltage range	250V–820V	250V–820V	250V–820V
Input channels	A / B / C / D: 3	A / B / C / D: 3	A / B / C / D: 3
MPPT tracking number	3	3	3
Max.input current	36A / 36A / 36A	36A / 36A / 36A	36A / 36A / 36A
DC connection type	MC4 connector	MC4 connector	MC4 connector
OUTPUT(AC)			
Max.output apparent power	33000VA	36300VA	40000VA
Max.output power	33000W	36300W	40000W
Rated grid voltage	3 / N / PE: 220 / 380V 3 / N / PE: 230 / 400V 3 / N / PE: 240 / 415V	3 / N / PE: 220 / 380V 3 / N / PE: 230 / 400V 3 / N / PE: 240 / 415V	3 / PE: 227 × 3 / 480V+PE
Grid voltage range per phase	184V–276V	184V–276V	221V–330V
Rated power grid frequency	50Hz / 60Hz	50Hz / 60Hz	50Hz / 60Hz
Grid frequency range	45–55Hz / 55–65Hz	45–55Hz / 55–65Hz	45–55Hz / 55–65Hz
Max.output current	48.5A per phase	50A per phase	50A per phase
Power factor (cosΦ)	0.8 i...1...0.8 c	0.8 i...1...0.8 c	0.8 i...1...0.8 c
Current harmonics (THDI)	< 3% (At nominal output power)	< 3% (At nominal output power)	< 3% (At nominal output power)
AC output terminal connection type	Plug and play terminal	Plug and play terminal	Plug and play terminal
EFFICIENCY			
Max.Efficiency	98.8%	98.8%	98.8%
Euro-eta	98.3%	98.3%	98.3%
MPPT Efficiency	99.8%	99.8%	99.8%
PROTECTION DEVICES			
Leakage current protection	Integrated	Integrated	Integrated
Island protection	Integrated	Integrated	Integrated
DC Switch	Integrated (opt)	Integrated (opt)	Integrated (opt)
Output over current protection	Integrated	Integrated	Integrated
Insulation Resistance detection	Integrated	Integrated	Integrated
GENERAL DATA			
Dimensions (W × H × D) (mm)	530 × 760 × 265mm		
Weight	42KG		
Install way	Wall hanging fixed		
Operating temperature range	–25°C ~+60°C		
Altitude	2000m		
Relative humidity	0%–98% No condensation		
Noise emission	≤ 55db(A)		
Self-consumption at night	0W		
Topology	T-type three-level / Transformerless		
Cooling concept	Natural		
Overall protection level	IP65		
Communication interface	USB / WIFI (opt) / RS485 (opt) / GPRS (opt)		
FEATURES			
DC connection	MC4	MC4	MC4
AC connection	C16 / 5	C16 / 5	C16 / 5
Display	LCD	LCD	LCD
Integrated combiner box	opt	opt	opt
Communication USB / WIFI / RS485 / GPRS:	yes / opt / yes / opt	yes / opt / yes / opt	yes / opt / yes / opt
Warranty: 5 years / 10 years	yes / opt	yes / opt	yes / opt
CERTIFICATES AND APPROVALS			
CE, VDE 0126–1–1, IEC 62109, G83–2, G59–3, AS4777, AS / NZS 3100, VDE–AR–N4105, EN50438, EN62116, CQC, MEA, PEA, IEC61683			

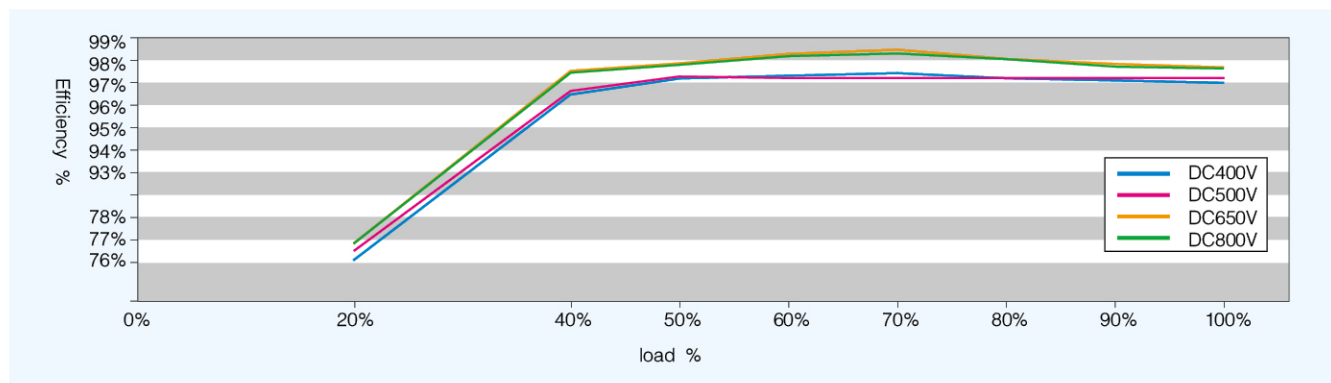
LT 40000HD-M LT 50000HD / LT 60000HD LT 65000HD / LT 70000HD



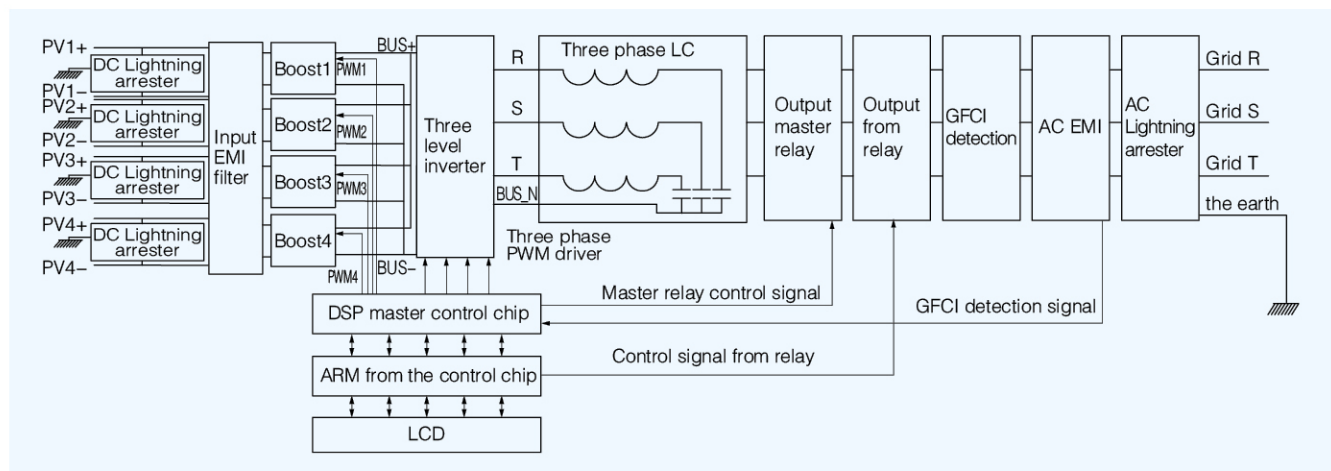
Leading - edge technology

- Wide input voltage, DC input voltage up to 1000V
- Compact design, no fan, low noise technique
- Maximum efficiency of 98.5%
- T three level design, more efficient, more power generation
- Internal DC Switch
- Easy maintenance
- IP65 compatible
- Small size, light weight, easy installation
- Film capacitor design, 25 years of design service life
- Standard configuration USB / WIFI, monitoring more flexible, more convenient

Efficiency curve



Circuit diagram



Technical specifications

DATASHEET	LT 40000HD-M	LT 50000HD	LT 60000HD	LT 70000HD
INPUT DATA(DC)				
Max.DC power	46000W	58000W	68000W	73000W
Max.DC voltage	1000V	1000V	1000V	1000V
Rated DC voltage	580Vdc	580Vdc	580Vdc	700Vdc
MPPT operating voltage range	250V–820V	250V–820V	250V–820V	250–850Vdc
Input channels	A / B / C / D: 3	A / B / C / D: 3	A / B / C / D: 3	A / B / C / D: 3
MPPT tracking number	4	4	4	4
Max.input current	36A / 36A / 36A / 36A	36A / 36A / 36A / 36A	36A / 36A / 36A / 36A	36A / 36A / 36A / 36A
DC connection type	MC4 connector	MC4 connector	MC4 connector	MC4 connector
OUTPUT(AC)				
Max.output apparent power	40000VA	50000VA	60000VA	70000VA
Max.output power	44000W	55000W	63000W	70000W
Rated grid voltage	3 / N / PE: 220 / 380V 3 / N / PE: 230 / 400V 3 / N / PE: 240 / 415V	3 / N / PE: 220 / 380V 3 / N / PE: 230 / 400V 3 / N / PE: 240 / 415V	3 / N / PE: 220 / 380V 3 / N / PE: 230 / 400V 3 / N / PE: 240 / 415V	3 / PE: 227 × 3 / 480V+PE
Grid voltage range per phase	184V–276V	184V–276V	184V–276V	184V–276V
Rated power grid frequency	50Hz / 60Hz	50Hz / 60Hz	50Hz / 60Hz	50Hz / 60Hz
Grid frequency range	45–55Hz / 55–65Hz	45–55Hz / 55–65Hz	45–55Hz / 55–65Hz	45–55Hz / 55–65Hz
Max.output current	60A per phase	80A per phase	80A per phase	90A per phase
Power factor (cos Φ)	0.8 i...1...0.8 c	0.8 i...1...0.8 c	0.8 i...1...0.8 c	0.8 i...1...0.8 c
Current harmonics (THDI)	< 3% (At nominal output power)			
AC output terminal connection type	Plug and play terminal			
EFFICIENCY				
Max.Efficiency	99.0%	99.0%	99.0%	99.0%
Euro–eta	98.6%	98.6%	98.6%	98.6%
MPPT Efficiency	99.8%	99.8%	99.8%	99.8%
PROTECTION DEVICES				
Leakage current protection	Integrated	Integrated	Integrated	Integrated
Island protection	Integrated	Integrated	Integrated	Integrated
DC Switch	Integrated (opt)	Integrated (opt)	Integrated (opt)	Integrated (opt)
Output over current protection	Integrated	Integrated	Integrated	Integrated
Insulation Resistance detection	Integrated	Integrated	Integrated	Integrated
GENERAL DATA				
Dimensions (W × H × D) (mm)	580 × 760 × 265mm	580 × 760 × 265mm	580 × 760 × 265mm	580 × 760 × 265mm
Weight	50KG	55KG	55KG	55KG
Install way	Wall hanging fixed	Wall hanging fixed	Wall hanging fixed	Wall hanging fixed
Operating temperature range	–25°C ~+60°C	–25°C ~+60°C	–25°C ~+60°C	–25°C ~+60°C
Altitude	2000m	2000m	2000m	2000m
Relative humidity	0%~98% No condensation			
Noise emission	≤ 55dB (A)			
Self–consumption at night	0W			
Topology	T–type three–level / Transformerless			
Cooling concept	Air cooling			
Overall protection level	IP65			
Communication interface	USB / WIFI (opt) / RS485 (opt) / GPRS (opt)			
FEATURES				
DC connection	MC4	MC4	MC4	MC4
AC connection	C16 / 5	C16 / 5	C16 / 5	C16 / 5
Display	LCD	LCD	LCD	LCD
Integrated combiner box	opt	opt	opt	opt
Communication USB / WIFI / RS485 / GPRS:	yes / opt / yes / opt	yes / opt / yes / opt	yes / opt / yes / opt	yes / opt / yes / opt
Warranty: 5 years / 10 years	yes / opt	yes / opt	yes / opt	yes / opt
CERTIFICATES AND APPROVALS				
CE, VDE 0126–1–1, IEC 62109, G83–2, G59–3, AS4777, AS/NZS 3100, VDE–AR–N4105, EN50438, EN62116, CQC, MEA, PEA, IEC61683				

LT 5000HD / LT 6000HD LT 8000HD / LT 10000HD

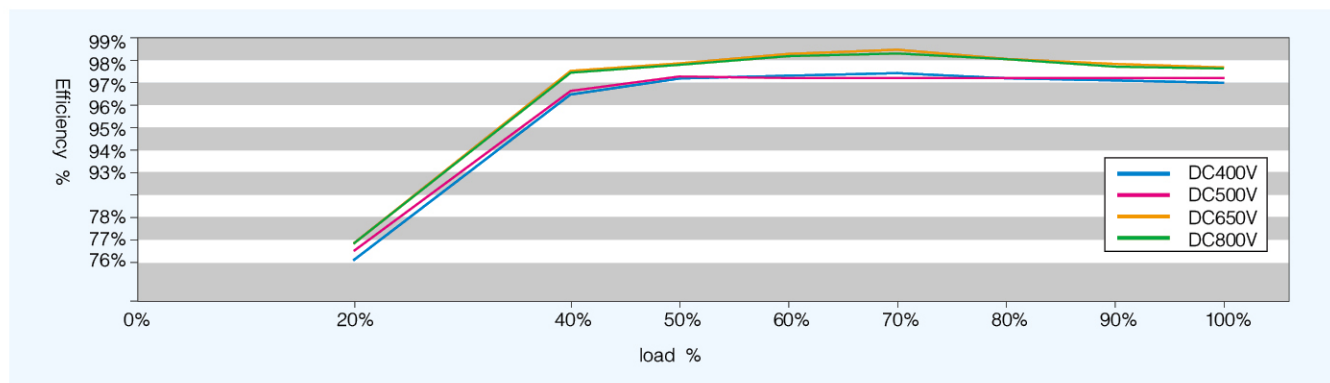
Inverter with Extra control



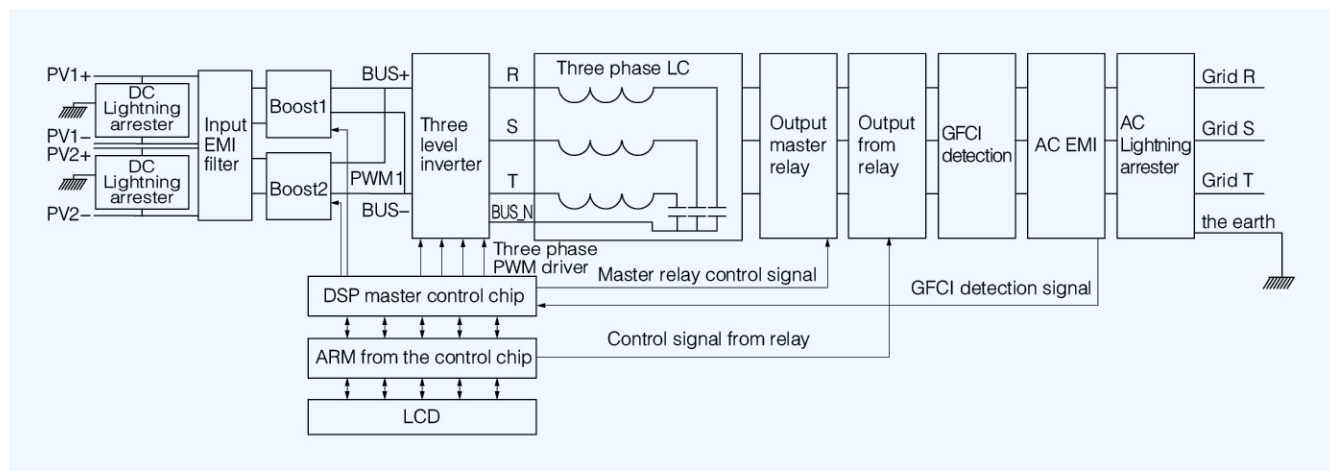
Leading - edge technology

- Wide input voltage, DC input voltage up to 600V
- Maximum efficiency of 98.5%
- T three level design, more efficient, more power generation
- Compact design, no fan, low noise technique
- Fanless design, easy maintenance
- IP65 compatible
- USB dual-mode, monitor and upgrade
- WIFI / GPRS remote control to adjust parameter and revise data, easy maintenance
- Remote shutdown and start-up
- Use CREE SIC MOS parts, high power design and power density (three phase of 5~10 KW)

Efficiency curve



Circuit diagram



Technical specifications

DATASHEET	LT 5000HD	LT 6000HD	LT 8000HD	LT 10000HD
DC INPUT PARAMETER				
Max. DC power	6000W	7000W	9000W	11000W
Max. DC voltage	600Vdc	600Vdc	600Vdc	600Vdc
Rated DC voltage	380 Vdc	380 Vdc	380 Vdc	380 Vdc
MPPT operation voltage range	150–420 Vdc	150–420 Vdc	150–420 Vdc	150–420 Vdc
MPPT full load voltage range	200–420 Vdc	200–420 Vdc	200–420 Vdc	200–420 Vdc
Input channels	A:2 / B:2	A:2 / B:2	A:3 / B:3	A:3 / B:3
MPPT tracking number	2	2	2	2
Max. input current	15A / 15A	15A / 15A	30A / 30A	30A / 30A
DC connection type	MC4 terminal	MC4 terminal	MC4 terminal	MC4 terminal
AC OUTPUT PARAMETERS				
Max. output apparent power	5000VA	6000VA	8000VA	10000VA
Rated output power	5000W	6000W	8000W	10000W
Rated grid voltage	3 / N / PE: 127 / 220V	3 / N / PE: 127 / 220V	3 / N / PE: 127 / 220V	3 / N / PE: 127 / 220V
Grid voltage range per phase	120V–140V / 207V–242V	120V–140V / 207V–242V	120V–140V / 207V–242V	120V–140V / 207V–242V
Rated power grid frequency	50 Hz / 60Hz	50Hz / 60Hz	50Hz / 60Hz	50 Hz / 60Hz
Grid frequency range	45–55Hz / 55–65Hz	45–55Hz / 55–65Hz	45–55Hz / 55–65Hz	45–55Hz / 55–65Hz
Max. output current	13.8A per phase	16.7A per phase	22.2A per phase	27.8A per phase
Power factor (cos ϕ)	0.8i...1...0.8c	0.8i...1...0.8c	0.8i...1...0.8c	0.8i...1...0.8c
Current harmonics (THDI)	<3%(under Rated output power)	<3%(under Rated output power)	<3%(under Rated output power)	<3%(under Rated output power)
AC output terminal connection type	Plug and play terminal	Plug and play terminal	Plug and play terminal	Plug and play terminal
EFFICIENCY				
Max. efficiency	98.2%	98.2%	98.5%	98.5%
EU efficiency	97.8%	97.8%	98.2%	98.2%
MPPT efficiency	99.8%	99.8%	99.8%	99.8%
GENERAL DATA				
(W / D / H) size	400 × 480 × 250 mm		540 × 680 × 265 mm	
N.W	25Kg		40KG	
Install way	Wall hanging fixed			
Operating temperature range	- 25°C ~ +60°C			
Max. altitude	2000m			
Relative temperature	0%–98% No condensation			
Noise	≤ 30dB(A)			
Night consumption	0 W			
Electrical isolation	Transformerless			
Cooling mode	Air natural convection			
Overall protection level	IP65			
Communication interface	USB / WIFI / RS-485			
REFERENCE STANDARD				
Safety standard	EN 62109,AS / NZS 3100			
Electromagnetic compatibility standard	EN 61000–6–1,EN61000–6–2, EN61000–6–3, EN61000–6–4, EN61000–3–11, EN61000–3–12			
Grid connected standard	VDE–AR–4105,VDE0126–1–1,G59 / 2,AS4777,CQC			

LT 15000HD LT 18000HD / LT 20000HD

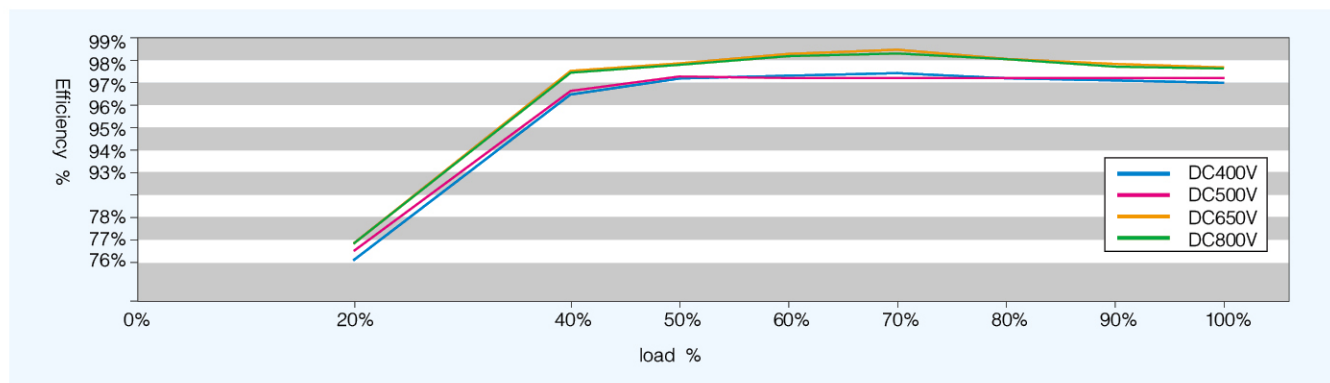
Inverter with Extra control



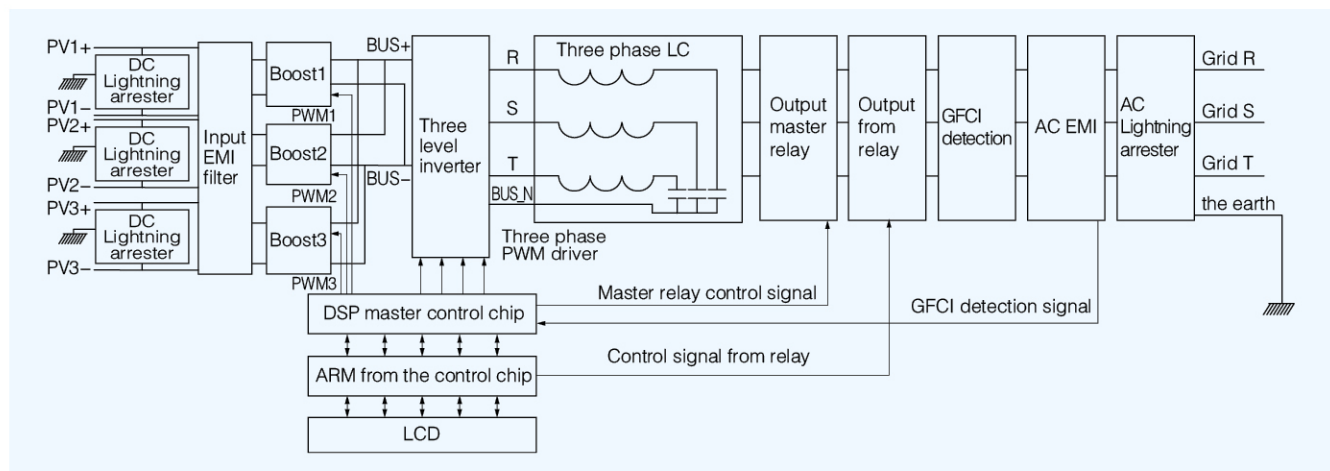
Leading - edge technology

- Wide input voltage, DC input voltage up to 600V
- Maximum efficiency of 98.8%
- T three level design, more efficient, more power generation
- Compact design, no fan, low noise technique
- Fanless design, easy maintenance
- IP65 compatible
- USB dual-mode, monitor and upgrade
- WIFI / GPRS remote control to adjust parameter and revise data, easy maintenance
- Remote shutdown and start-up

Efficiency curve



Circuit diagram



Technical specifications

DATASHEET	LT 15000HD	LT 18000HD	LT 20000HD
DC INPUT PARAMETER			
Max. DC power	16500W	19200W	22000W
Max. DC voltage	600Vdc	600Vdc	600Vdc
Rated DC voltage	380 Vdc	380 Vdc	380 Vdc
MPPT operation voltage range	150–420 Vdc	150–420 Vdc	150–420 Vdc
MPPT full load voltage range	200–420 Vdc	200–420 Vdc	200–420 Vdc
Input channels	A:3 / B:3 / C:3	A:3 / B:3 / C:3	A:3 / B:3 / C:3
MPPT tracking number	3	3	3
Max. input current	30A / 30A	35A / 35A	35A / 35A
DC connection type	MC4 terminal	MC4 terminal	MC4 terminal
AC OUTPUT PARAMETERS			
Max. output apparent power	15000VA	18000VA	20000VA
Rated output power	15000W	18000W	20000W
Rated grid voltage	3 / N / PE: 127 / 220V	3 / N / PE: 127 / 220V	3 / N / PE: 127 / 220V
Grid voltage range per phase	120V–140V / 207V–242V	120V–140V / 207V–242V	120V–140V / 207V–242V
Rated power grid frequency	50 Hz / 60Hz	50Hz / 60Hz	50Hz / 60Hz
Grid frequency range	45–55Hz / 55–65Hz	45–55Hz / 55–65Hz	45–55Hz / 55–65Hz
Max. output current	41.7A per phase	50A per phase	50A per phase
Power factor (cos ϕ)	0.8i...1...0.8c	0.8i...1...0.8c	0.8i...1...0.8c
Current harmonics (THDI)	<3%(under Rated output power)	<3%(under Rated output power)	<3%(under Rated output power)
AC output terminal connection type	Plug and play terminal	Plug and play terminal	Plug and play terminal
EFFICIENCY			
Max. efficiency	98.8%	98.8%	98.8%
EU efficiency	98.4%	98.4%	98.4%
MPPT efficiency	99.8%	99.8%	99.8%
GENERAL DATA			
(W / D / H) size	540 × 710 × 265 mm		
N.W	50Kg		
Install way	Wall hanging fixed		
Operating temperature range	- 25°C ~ +60°C		
Max. altitude	2000m		
Relative temperature	0%–98% No condensation		
Noise	≤ 40dB(A)		
Night consumption	0 W		
Electrical isolation	Transformerless		
Cooling mode	Air natural convection		
Overall protection level	IP65		
Communication interface	USB / WIFI / RS-485		
REFERENCE STANDARD			
Safety standard	EN 62109,AS / NZS 3100		
Electromagnetic compatibility standard	EN 61000–6–1,EN61000–6–2, EN61000–6–3, EN61000–6–4, EN61000–3–11, EN61000–3–12		
Grid connected standard	VDE–AR–4105,VDE0126–1–1,G59 / 2,AS4777,CQC		